

A Comprehensive Review of Induction Motors: Principles, Control Techniques, and Applications

¹ Bhupendra Nema, ²Prof Sagar Tomar

¹Department of Electrical and Electronics, Oriental Institute of Science and Technology

²Department of Electrical and Electronics, Oriental Institute of Science and Technology

bhupendranema@rediffmail.com

* Corresponding Author: Bhupendra Nema

Abstract: The induction motor stands as a cornerstone of modern industrial processes, providing the driving force behind countless applications, from manufacturing to transportation. Its robustness, simplicity, and efficiency have solidified its position as the workhorse of the electromechanical world. Since its inception over a century ago, the induction motor has undergone numerous advancements, evolving to meet the demands of increasingly sophisticated systems and technologies. This review paper begins by providing a foundational understanding of the induction motor, exploring its fundamental principles, historical development, and key characteristics. Subsequently, it delves into a comprehensive exploration of motor speed control techniques based on optimization algorithms. By establishing a firm understanding of the induction motor, the paper lays the groundwork for analyzing various strategies employed to regulate its speed effectively. Through a comparative analysis, the strengths, limitations, and potential applications of optimization-based control methods are elucidated, aiming to enhance the performance and efficiency of induction motors across diverse industrial and commercial settings.

Keywords: Induction motor, motor speed control, optimization algorithms, electromechanical systems, industrial applications.

I. INTRODUCTION

The induction motor stands as a cornerstone of modern industrial processes, providing the driving force behind countless applications, from manufacturing to transportation. Its robustness, simplicity, and efficiency have solidified its position as the workhorse of the electromechanical world. Since its inception over a century ago, the induction motor has undergone numerous advancements, evolving to meet the demands of increasingly sophisticated systems and technologies. This introductory section aims to provide a foundational understanding of the induction motor, exploring its fundamental principles, historical development, and key characteristics. We delve into the operating principles that underpin its functionality, elucidating the interplay of magnetic fields and electromotive forces that drive its operation. Additionally, we trace the evolution of the induction motor, from its early beginnings to the present day, highlighting pivotal innovations and milestones that have shaped its trajectory [1].

Furthermore, this introduction sets the stage for a comprehensive exploration of motor speed control techniques based on optimization algorithms. By establishing a firm understanding of the induction motor, we lay the groundwork for analyzing the various strategies employed to regulate its speed effectively. Through this comparative analysis, we aim to elucidate the strengths, limitations, and potential applications of optimization-based control methods in enhancing the performance and efficiency of induction motors across diverse industrial and commercial settings. In the realm of electromechanical systems, the ability to precisely regulate motor speed stands as a crucial factor influencing efficiency, performance, and overall system functionality. From industrial machinery and robotics to automotive propulsion and renewable energy systems, precise control over motor speed is essential for optimizing processes, conserving energy, and ensuring safe operation. This introduction serves as a gateway to the exploration of motor speed control techniques, with a focus on the application of optimization algorithms. We embark on a journey through the principles, methodologies, and advancements in motor speed control, aiming to provide a comprehensive understanding of the underlying mechanisms and the diverse array of approaches employed to achieve desired speed profiles [2].

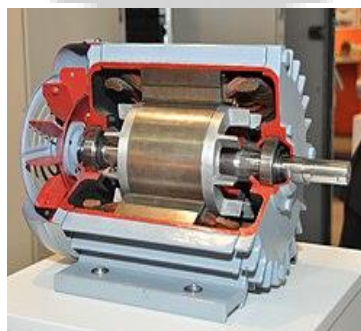


Figure 1. Induction motor

Synchronous speed is the speed of rotation of the magnetic field in a rotary machine, and it depends upon the frequency and number poles of the machine. The induction motor always runs at speed less than its synchronous speed. The rotating magnetic field produced in the stator will create flux in the rotor, hence causing the rotor to rotate. Due to the lag between the flux current in the rotor and the flux current in the stator, the rotor will never reach its rotating magnetic field speed (i.e. the synchronous speed).

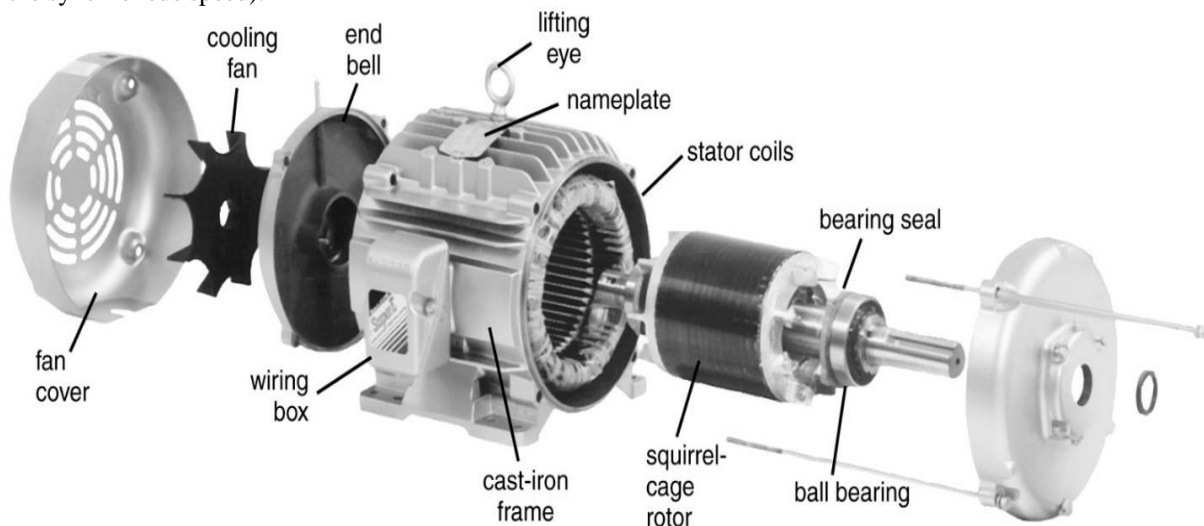


Figure 2 Three-Phase Induction Motor [3]

There are basically two types of induction motor [3]. The types of induction motor depend upon the input supply. There are single phase induction motors and three phase induction motors. Single phase induction motors are not a self-starting motor, and three phase induction motor are a self-starting motor.

II. ADVANTAGES AND DISADVANTAGES OF INDUCTION MOTORS

Induction motors offer a host of advantages, including robustness, reliability, and simplicity in design, making them cost-effective solutions for various industrial and commercial applications. With minimal maintenance requirements, these motors can withstand harsh operating conditions and provide consistent performance over extended periods. Additionally, their high efficiency near rated load conditions translates to energy savings and reduced operating costs. However, induction motors also have limitations, such as lower power factor at partial loads, limited speed control capabilities, and high inrush currents during startup. Despite these drawbacks, the versatility and widespread availability of induction motors make them indispensable components in a diverse range of electromechanical systems [4].

Advantages:

- **Robust and Reliable:** Induction motors are revered for their sturdy construction and reliability, rendering them ideal for a myriad of industrial applications. Their ability to endure harsh operating conditions with minimal maintenance requirements makes them a dependable choice across various sectors. From manufacturing plants to HVAC systems, induction motors consistently deliver performance without falter, ensuring uninterrupted operations even in demanding environments.
- **Simple Design:** The elegance of induction motors lies in their uncomplicated design, featuring a stationary stator and a rotating rotor. This simplicity not only enhances their durability but also streamlines the manufacturing process, contributing to cost-effectiveness. With fewer moving parts and straightforward assembly, induction motors offer a robust solution that requires minimal upkeep, making them an attractive option for businesses seeking reliable and hassle-free operation.
- **Cost-Effective:** Among the spectrum of electric motors, induction motors stand out for their cost-effectiveness, presenting a viable solution for various applications. Their straightforward design and mass production capabilities contribute to their affordability, offering businesses an economical yet reliable choice for powering machinery and equipment. Whether in industrial settings or commercial establishments, induction motors provide a compelling combination of performance and value, driving operational efficiency without breaking the bank.
- **High Efficiency:** Efficiency is a hallmark of induction motors, especially when operated near their rated load conditions. Their ability to convert electrical energy into mechanical power with minimal losses translates to significant energy savings and reduced operating costs over their lifespan. By optimizing performance and minimizing waste, induction motors play a pivotal role in enhancing the sustainability of industrial processes and contributing to environmental conservation efforts.

- **Wide Range of Sizes and Capacities:** Induction motors come in a diverse array of sizes and power ratings, offering versatility and flexibility for various applications. From small household appliances to large industrial machinery, there's an induction motor to suit every need. This wide range of options enables businesses to tailor their motor selection to specific requirements, ensuring optimal performance and efficiency across different operational scenarios.

Disadvantages:

- **Lower Power Factor:** Despite their numerous advantages, induction motors often exhibit a lower power factor, particularly when operating at partial loads. This lower power factor can lead to increased reactive power consumption and reduced overall system efficiency, necessitating corrective measures such as power factor correction capacitors to mitigate these effects.
- **Limited Speed Control:** Unlike some other motor types, such as DC motors, induction motors have inherent limitations in speed control capabilities. While techniques like variable frequency drives (VFDs) can enable some degree of speed control, it may not be as precise or dynamic as with other motor types, limiting their suitability for applications requiring precise speed regulation.
- **Starting Current Surge:** During startup, induction motors can experience a high inrush current, which can cause voltage dips and impact other equipment connected to the same power supply. This starting current surge may require additional measures, such as soft starters or reduced voltage starting methods, to mitigate its effects and ensure stable operation of the electrical system.
- **Dependence on External Power Supply:** Induction motors rely on an external power supply to generate the rotating magnetic field necessary for operation. Any interruptions or fluctuations in the power supply can adversely affect motor performance and reliability, highlighting the importance of robust power distribution systems and backup solutions to minimize downtime and ensure continuity of operations.
- **Limited Efficiency at Low Loads:** While induction motors excel at operating near their rated load conditions, they may experience reduced efficiency when operating at low loads or speeds. This inefficiency at light loads can result in energy wastage in applications with varying load demands, underscoring the need for careful selection and optimization of motor size and operating parameters to maximize energy efficiency across a range of operating conditions.

III. LITERATURE REVIEW

Mamdouh, M., et al. (2018) [5]: This paper addresses the critical need for ensuring the continuous and smooth operation of induction motors (IMs) in modern industries. It begins by examining traditional signal analyses, focusing on vibration and current signals as indicators of various IM faults. The study analyzes signals from faulty IMs in a laboratory setup and discusses the advantages and challenges of conventional approaches. Additionally, it provides an overview of research efforts in signal-based automation for condition monitoring methodologies, emphasizing statistical features, AI techniques, and training/testing strategies for fault diagnosis.

Journal, I. (2020) [6]: This review explores the evolution of traction motor technology and its impact on mechanical health monitoring and fault diagnosis. It highlights motor current signature analysis as a technique for identifying harmonic signals in line current. Various faults affecting induction motors, such as rotor, stator, bearings, vibration, and air gap eccentricity, are examined alongside diagnosis techniques. The review emphasizes AI's role in advancing fault detection and provides a comprehensive overview of traction motor faults and diagnostic schemes, aiming to guide future exploration and innovation.

Bonet-Jara, J., et al. (2021) [7]: This study evaluates the effectiveness of recently developed approaches for choosing weighting factors in finite control set pulse width modulation (PWM) techniques. It categorizes methods into offline and online categories based on how weighting factors are computed, focusing on the evaluation of online methods for their ability to adjust factors automatically. The study scrutinizes four newly devised methods and the conventional method, delineating their merits and limitations to aid practitioners in selecting optimal approaches.

Jannati, M., et al. (2017) [8]: This paper discusses speed control of induction motors using variable frequency drives (VFDs). It provides a basic understanding of VFD concepts and operation, highlighting the need for variable speed operation in response to varying load requirements. The document explores methods for changing motor speed, emphasizing VFD-based techniques.

Ouanjli, N. El, et al. (2019) [9]: This study investigates methods for estimating sensorless speed in induction motors, focusing on their applicability for diagnosis purposes. It offers a comprehensive analysis of commercial diagnostic devices and real-world examples to elucidate prevailing challenges and guide future research efforts.

"Hannan, M. A., et al. (2018) [10]: This paper addresses the efficiency and control of single-phase induction motors (SPIMs) in residential and commercial electricity consumption. It emphasizes the need for efficient control strategies to optimize SPIM operation, providing a thorough examination of variable speed control techniques tailored for SPIM drives.

"Subasri, R., et al. (2020) [11]: This review focuses on enhancing the performance of conventional direct torque control (DTC) for induction machines. It evaluates modern techniques targeting torque and flux control, assessing their effectiveness in managing algorithm complexity, minimizing losses, and improving control performance.

"Talla, J., et al. (2018) [12]: This study critically assesses control and optimization strategies for induction motor (IM) drives. It provides a comprehensive analysis of scalar and vector control techniques, including speed and V/f control, direct and indirect field-oriented control, and various optimization techniques, aiming to guide future research in advancing IM drive technology.

"Sobhi, S. et al. (2023) [13]: This paper addresses the need for condition monitoring systems tailored to small electric motors in industrial settings. It presents an ongoing project aimed at developing a machine-learning-based solution for fault detection in multiple small electric motors, utilizing both shallow and deep learning approaches.

"Gudiño-Ochoa, A. et al. (2023) [14]: This study investigates the interaction of AC drives with induction motors in interharmonic generation. It analyzes the impact of different AC drives on interharmonic generation and employs time-frequency spectral analysis to understand harmonic generation, offering insights into the interaction between drives and motor characteristics.

IV. STARTING METHODS OF INDUCTION MOTOR?

Controlling 'high currents during' the starting of an 'induction motor' is crucial to prevent damage to nearby loads. Therefore, adopting appropriate starting methods is necessary to mitigate these high starting currents. Once the motor reaches its rated speed, inrush currents cease to be an issue. At this point, slip comes into play, reducing rotor current. The following are the most commonly used starting methods for induction motors:

- 'Direct Online Starting'
- 'Stator Resistance/Reactance Starting'
- 'Auto-Transformer Starter'
- 'Star-Delta Starter'
- 'Rotor Resistance Control'

Furthermore, we will explore how the starting torque varies in these methods. Understanding this variation requires a basic grasp of the connection between "induction motors" torque and current.

A. Direct Online Starting

Direct-online (DOL) beginning is a conventional technique for running a three-phase induction motor (IM). This method involves connecting the IM's stator directly to the electrical grid. Figure 6 shows the schematic representation of the (DOL) beginning approach. In Figure 6, KM1 stands for a usually open contactor and (QF1) for a breaker. On the other hand, the initial current generated by the (DOL) technique may be five to eight times more than the rated current. This high initial current might cause unintended voltage drops in the electrical system and negatively impact neighboring equipment's ability to operate normally [5]. Furthermore, the high starting current may put a lot of strain on the rotor bar and stator winding, which could jeopardize the "winding insulation" and lead to "motor faults" and "squirrel cage" fractures.

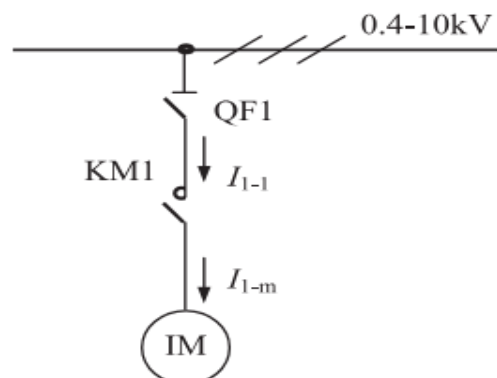


Figure 3 Topological diagram of (DOL) starting method [15]

B. Stator Resistance and Reactance Starting

This starting technique for induction motors uses an external rheostat connected in series with each stator phase to reduce the voltage across the stator by a factor x (where $x < 1$). This causes the stator current to decrease by the same factor. Reactors are generally less preferred in this setup because they may affect the operating power factor, which in turn affects the motor's starting torque.

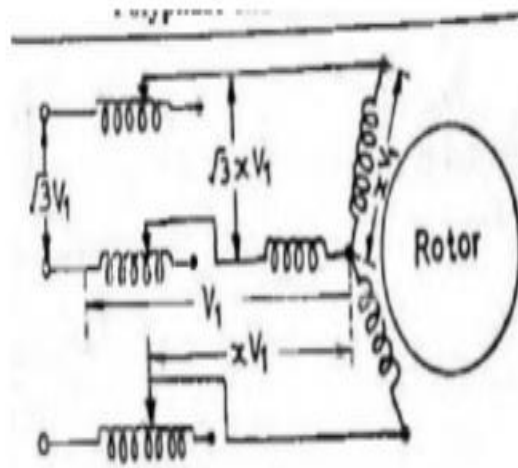


Figure 4 Reactor (or resistor) starting of squirrel cage induction motor

C. The Autotransformer Starting Method

To control the supply voltage to the motor, an autotransformer is usually used in the stator circuit, as shown in Figure 2. In Figure 2, taps with different beginning torques are represented by D1, D2, and D3. As breakers, QF1 and QF2 are indicated, and KM1 is a usually open contactor. The autotransformer is used to apply a portion of the power grid's voltage to the stator during the initial restart of the induction motor (IM), thereby limiting the starting current. When the IM reaches its rated speed, KM1 is closed to disconnect the autotransformer from the circuit and allow the IM to receive the full voltage of the power grid. When comparing this method to the Direct-On line (DOL) starting method, it is more effective in lowering the IM's starting current because the autotransformer reduces the voltage applied to the motor. Even so, the starting current still has an effect when switching taps.

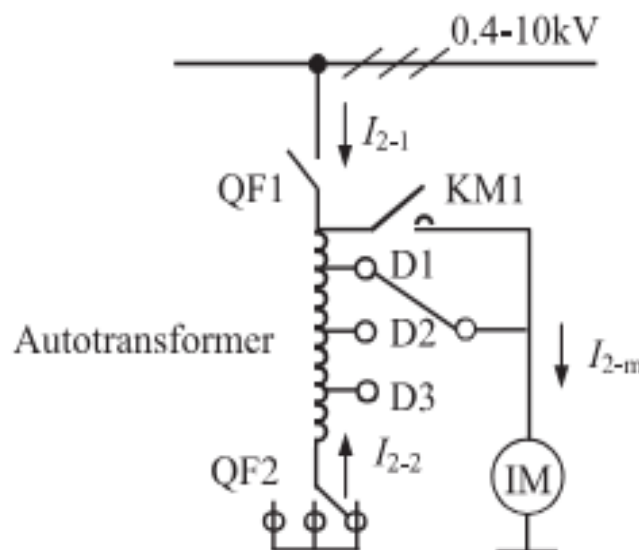


Figure 5 Topological diagram of autotransformer starting method

D. Star Delta Starting

This "starting method" works especially well for "induction motor" stator winding designs that are meant to form delta connections while the motor is operating. This starter's simplicity stems from the fact that it needs a triple-pole double-throw (T.P.D.T) switch. To begin with, the (TPDT) switch is used to convert the stator winding into a star connection. As a result, there is a $1/\sqrt{3}$ reduction in voltage across each stator phase. This reduction in voltage has a corresponding effect

on the rotor short-circuit current, also diminishing it by the same factor. By transitioning the stator winding configuration in this manner, the starting process is effectively managed, mitigating potential issues related to excessive currents during startup.

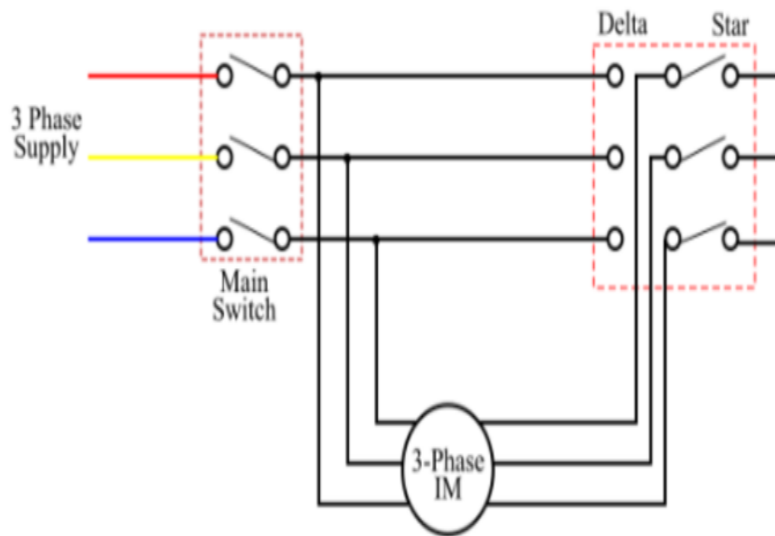


Figure 6 Star Delta Starting

$$\Rightarrow T_{st}/T_f = 1/3(ISC/I_f)^2 s_f$$

This initialization technique does not allow for gradual adjustments; it only offers one-step control. In order to reduce the amount of insulation needed, induction motors with ratings higher than 3.3 kV are often built using a star-connected stator. As a result, some designs are not appropriate for this starting approach.

E. Rotor Resistance Control

Rotor Resistance Control is considered the most effective starting method among induction motor starting techniques. However, it is rarely employed in regular applications due to its complex design, which often leads to frequent repairs and maintenance. In this approach, the rated voltage can be applied across the stator, while rheostats connected to the rotor winding of the slip ring induction motor enable control over the rotor short-circuit current (ISC). An added benefit of this method is the capability to enhance the starting torque of the motor.

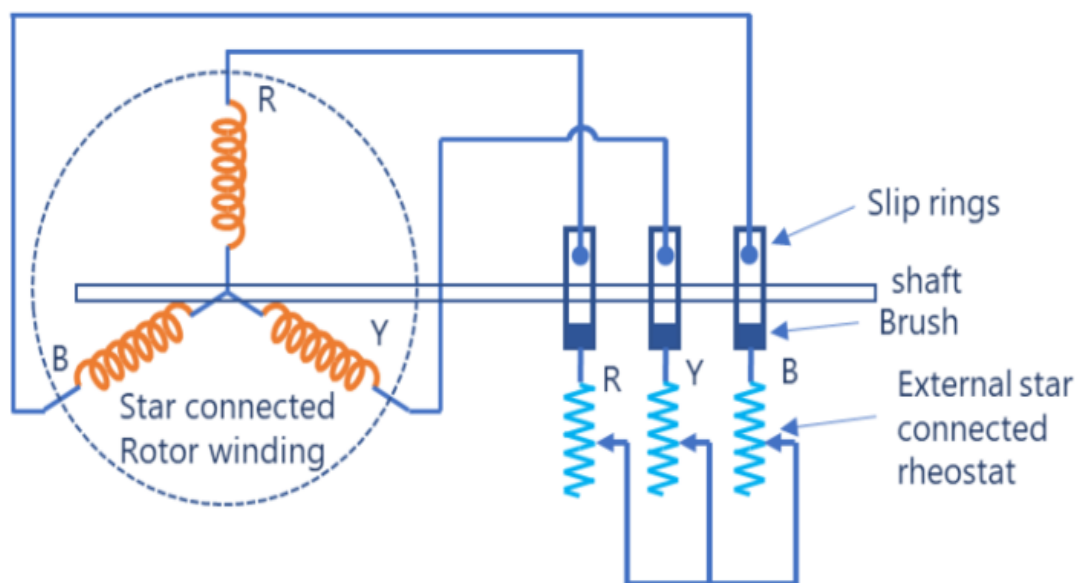


Figure 7 Rotor Resistance Control

V. CONCLUSION

This review paper has provided a comprehensive overview of induction motors, spanning from their fundamental principles to advanced control techniques and applications. The advantages and disadvantages of induction motors have been discussed, highlighting their robustness, reliability, and simplicity, as well as their limitations in speed control and starting current surge. Various starting methods for induction motors have been explored, including Direct Online Starting, Stator Resistance/Reactance Starting, Auto-Transformer Starter, Star-Delta Starter, and Rotor Resistance Control, each with its own benefits and considerations. Overall, induction motors remain indispensable components in a diverse range of electromechanical systems, and ongoing research and innovation in motor speed control techniques promise to further enhance their performance and efficiency in the years to come.

REFERENCES

- [1] Bocker, J., & Mathapati, S. (2007, May). State of the art of induction motor control. In *2007 IEEE International Electric Machines & Drives Conference* (Vol. 2, pp. 1459-1464). IEEE.
- [2] Jacobina, C. B., de Rossiter Correa, M. B., da Silva, E. C., & Lima, A. M. N. (1999). Induction motor drive system for low-power applications. *IEEE Transactions on Industry Applications*, 35(1), 52-61.
- [3] Glowacz, A., & Glowacz, Z. (2017). Diagnosis of the three-phase induction motor using thermal imaging. *Infrared physics & technology*, 81, 7-16.
- [4] Lewis, C. (2002, July). The advanced induction motor. In *IEEE Power Engineering Society Summer Meeting*, (Vol. 1, pp. 250-253). IEEE.
- [5] Mamdouh, M., Abido, M. A., & Hamouz, Z. (2018). Weighting Factor Selection Techniques for Predictive Torque Control of Induction Motor Drives: A Comparison Study. *Arabian Journal for Science and Engineering*, 43(2), 433–445. <https://doi.org/10.1007/s13369-017-2842-2>
- [6] Journal, I. (n.d.). A REVIEW PAPER ON VARIABLE FREQUENCY DRIVE.
- [7] Bonet-Jara, J., Quijano-Lopez, A., Morinigo-Sotelo, D., & Pons-Llinares, J. (2021). Sensorless speed estimation for the diagnosis of induction motors via mcsa. Review and commercial devices analysis†. *Sensors*, 21(15), 1–35. <https://doi.org/10.3390/s21155037>
- [8] Jannati, M., Anbaran, S. A., Asgari, S. H., Goh, W. Y., Monadi, A., Aziz, M. J. A., & Idris, N. R. N. (2017). A review on Variable Speed Control techniques for efficient control of Single-Phase Induction Motors: Evolution, classification, comparison. *Renewable and Sustainable Energy Reviews*, 75(April), 1306–1319. <https://doi.org/10.1016/j.rser.2016.11.115>
- [9] Ouanjli, N. El, Derouich, A., Ghzizal, A. El, Motahhir, S., Chebabhi, A., Mourabit, Y. El, & Taoussi, M. (2019). Modern improvement techniques of direct torque control for induction motor drives-A review. *Protection and Control of Modern Power Systems*, 4(1). <https://doi.org/10.1186/s41601-019-0125-5>
- [10] Hannan, M. A., Ali, J. A., Mohamed, A., & Hussain, A. (2018). Optimization techniques to enhance the performance of induction motor drives: A review. *Renewable and Sustainable Energy Reviews*, 81(September 2016), 1611–1626. <https://doi.org/10.1016/j.rser.2017.05.240>
- [11] Subasri, R., Meenakumari, R., Panchal, H., Suresh, M., Priya, V., Ashokkumar, R., & Sadasivuni, K. K. (2020). Comparison of BPN, RBFN and wavelet neural network in induction motor modelling for speed estimation. *International Journal of Ambient Energy*, 0(0), 1–6. <https://doi.org/10.1080/01430750.2020.1817779>
- [12] Talla, J., Leu, V. Q., Smidl, V., & Peroutka, Z. (2018). Adaptive speed control of induction motor drive with inaccurate model. *IEEE Transactions on Industrial Electronics*, 65(11), 8532–8542. <https://doi.org/10.1109/TIE.2018.2811362>
- [13] Sobhi, S.; Reshadi, M.; Zarft, N.; Terheide, A.; Dick, S. Condition Monitoring and Fault Detection in Small Induction Motors Using Machine Learning Algorithms. *Information* **2023**, 14, 329. <https://doi.org/10.3390/info14060329>
- [14] Gudiño-Ochoa, A.; Jalomo-Cuevas, J.; Molinar-Solís, J.E.; Ochoa-Ornelas, R. Analysis of Interharmonics Generation in Induction Motors Driven by Variable Frequency Drives and AC Choppers. *Energies* **2023**, 16, 5538. <https://doi.org/10.3390/en16145538>
- [15] Chang, Y., Yan, H., Huang, W., Quan, R., & Zhang, Y. (2023). A novel starting method with reactive power compensation for induction motors. *IET Power Electronics*, 16(3), 402-412.